



## ORDER PROPOSAL

### Customer Data

Company Name ARTKILL TALLINN Address ()  
Telephone 5154679 Email ARTSKILLSTUUDIO@ARTSKILL.EE Tax code / VAT reg. no.

### Order Data

Date of Entry 05/06/2024 Delivery date requested 05/07/2024 Volume 0.725  
Order Number 30710 Order Type ZVE2 Sostituz.ESPORTATORE  
Order Reference ARTKILL TALLINN DIS1 SET Tipo Consegna B010

### Comments

TELLIMUSE KINNITUS SST\_DIS1

**WARNING:** the price reference for any modification manually done by the user is the paper price list. We also remind you that prices and feasibility for special elements have to be requested to the relevant departments.

### PRODUCT VERSION

Trademark / Product Line	SCAVOLINI / Bathrooms	Model	MISFITS BATHROOM
Version on sale	MISFITS Bath.Tit.fin.al.fra./G	Colour of front	Soft Steel_dow
Colour of carcass	DM Str._Key Matter Scav969	Handle version	Without handle MISFIT BATHROOM
Kind of drawer/basket	Anthracite 'LEGRABOX' Metal	Washbasin type selection	Integral
Washbasin series selection	Integ.Gres P52/53	Top material	Gres
Colour of worktop	Calce Bianco_Laminam	Worktop profile	B24 -Th.10 cm -Grs
Finish of worktop	Not defined	Material of backsplash prof.	Gres H.40 th 11 rect.prof.
Colour of backsplash	Calce Bianco_Laminam		

### LIST OF ARTICLES

Line n.	Fam	Cons	Article Code	U.M.	Q.ty	Description of goods	Volume	Sc	IVA	Unit price	Amount
							Variants	(M3)			
1	015	BNOR	71508760	PCE	1.00	CART MISFIT WASHBASIN B.U.90 W/DRAWER Colour of carcass Coal Black	0.4500			1593.00	1593.00
2	045	BNOR	32007122	PCE	1.00	MISFIT 90X70 MIRROR Mirror styling MISFIT Mirror Unit Color Coal Black	0.1500			752.00	752.00
3	045		32007124	PCE	1.00	MISFIT TOWEL RAIL L.90	0.0800			ZR00 205.00	205.00
4	075	B010	77083015	CMT	90.00	LINEAR WORKTOP DEPTH 52 CM Worktop actual depth 52.3 Built-in washbasin surcharge BS.AR.INT MONOLITH L60 Worktop front edge Not defined	0.0393			Z014 7.00 946.00	1571.00
5	045		41022290	PCE	1.00	NOBILI MT.BLK.WASHBASIN MX LR116298/1BM	0.0060				
6	999		75067260	PCE	1.00	ACCESSORIES F/FIXING TOPS					

### Amount by product family

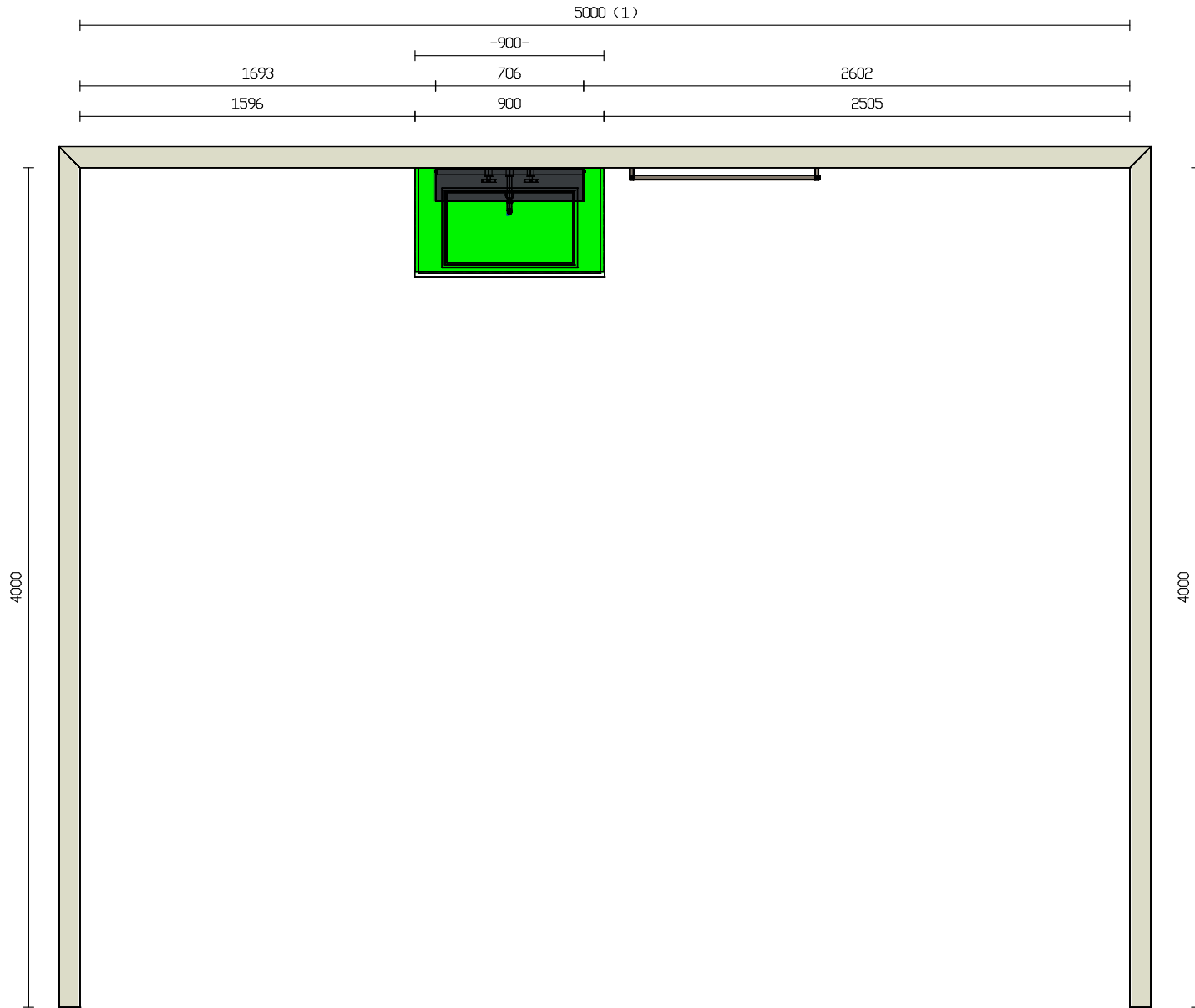
015 Finished Elements bathrooms 1,593.00 €

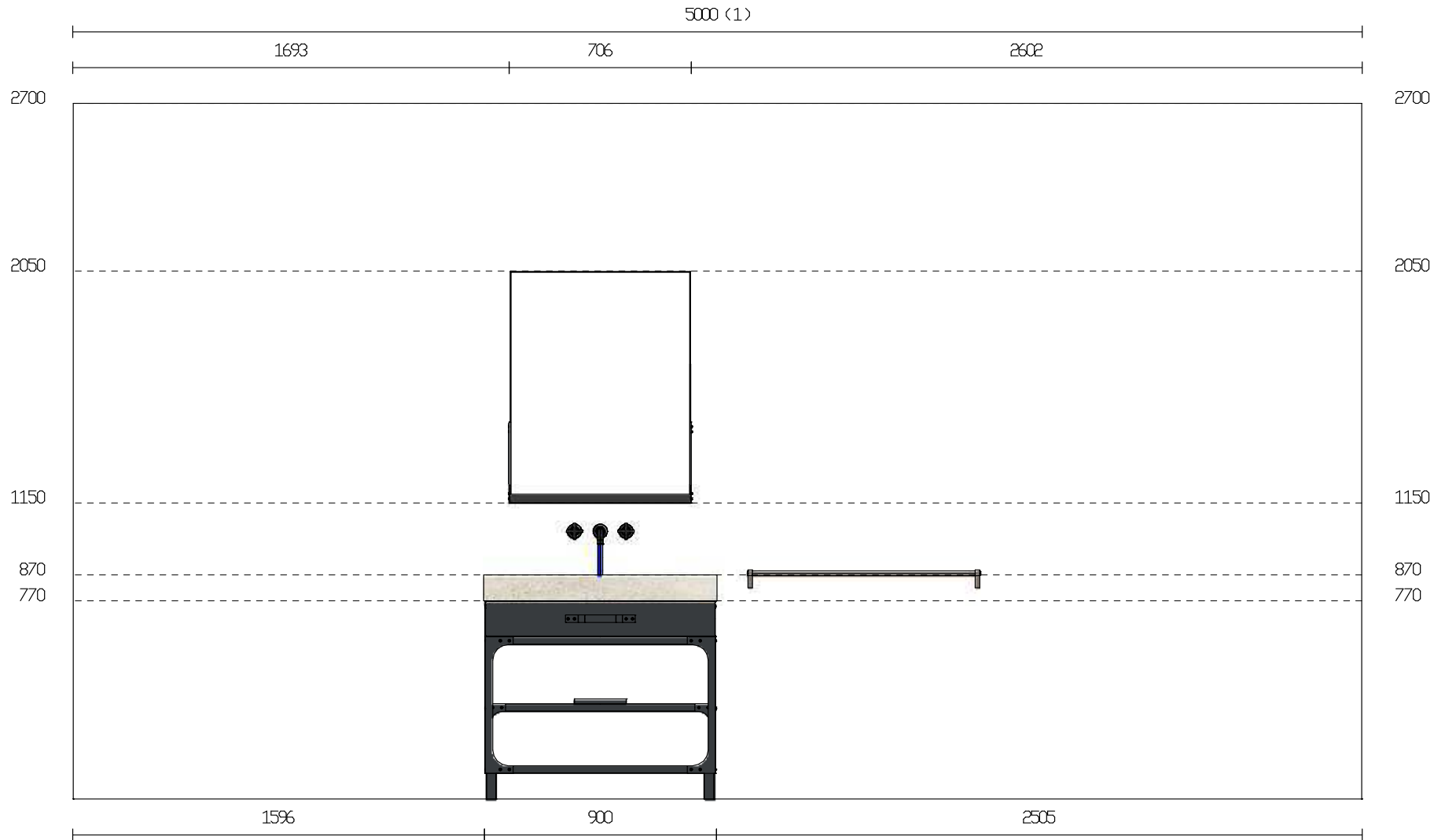
**NOTE:** the **Bold Underline** elements displayed in the quotation have been modified compared to the standard; carefully check price and feasibility.

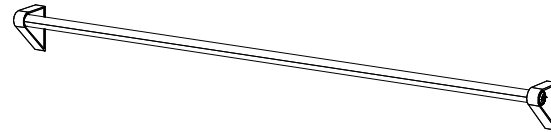
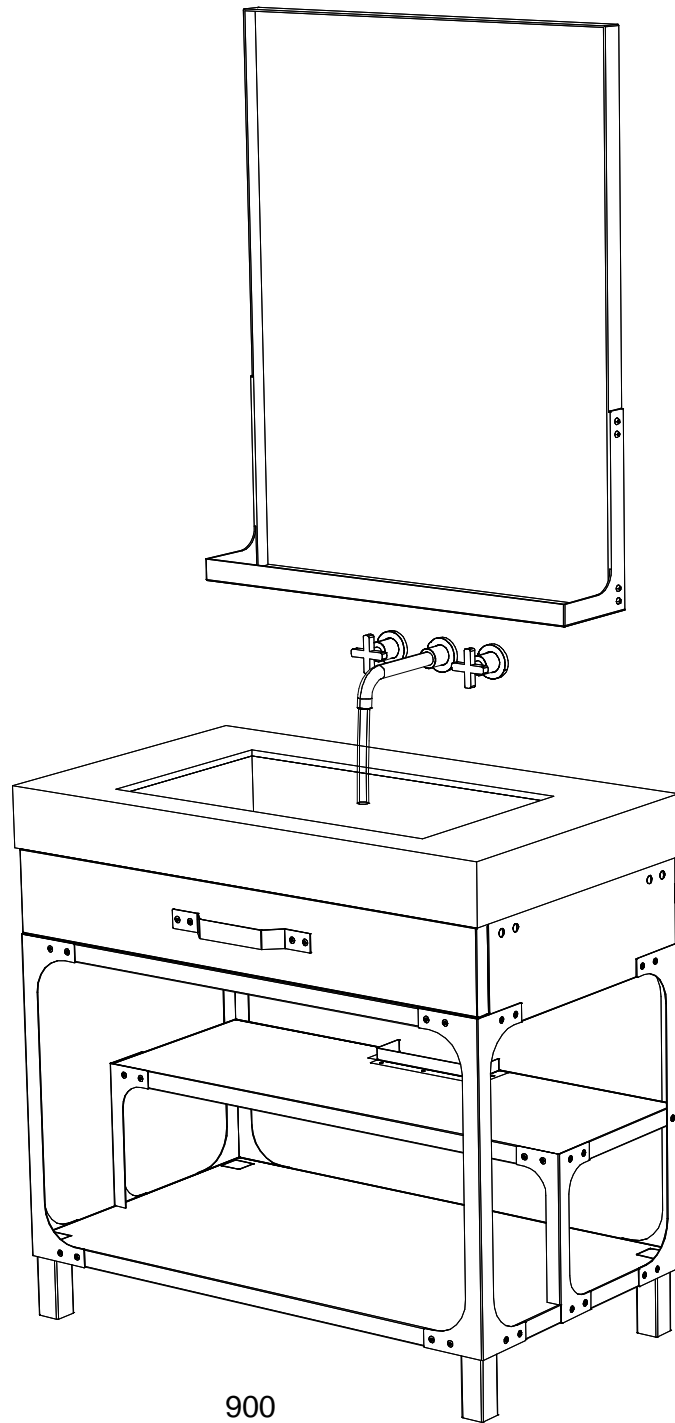
045 Complements and accessories	957.00 €
075 Bathroom tops	1,571.00 €

<b>Total Volume</b>	<b>0.725 M3</b>	<b>Total Gross Amount</b>	<b>4121.00 €</b>
<b>IVA</b>		<b>4121.00</b> 22.0 %	<b>907.00 €</b>
<b>Amount including IVA</b>			<b>5027.00 €</b>

**NOTE:** the **Bold Underline** elements displayed in the quotation have been modified compared to the standard; carefully check price and feasibility.







900

