



ORDER PROPOSAL

Customer Data

Company Name ARTKILL TALLINN Address ()
 Telephone 5154679 Email ARTSKILLSTUUDIO@ARTSKILL.EE Tax code / VAT reg. no.

Order Data

Date of Entry 06/07/2024 Delivery date requested 06/08/2024 Volume 0.476
 Order Number 30725 Order Type ZVE2 Sostituz.ESPORTATORE
 Order Reference MIKO_01 Tipo Consegna B021

Dealer

Code 0000210915 Company Name ARTSKILL OU
 Address TOOSTUSE 47B
 ZIP Place TALLINN County
 Telephone +372 5154679 Area Manager 091

Point of Sale

Code 0000283681 Company Name SCAVOLINI STORE TALLINN
 Address TOOSTUSE 47B 10416 TALLINN () Telephone +372 5154679

Comments

WARNING: the price reference for any modification manually done by the user is the paper price list. We also remind you that prices and feasibility for special elements have to be requested to the relevant departments.

PRODUCT VERSION

Trademark / Product Line	SCAVOLINI / Bathrooms	Model	MIKO
Version on sale	Miko Matt Lacquered	Colour of front	Moon Blue Scav568
Colour of carcass	Carcass as front	Handle version	RGP f.hdl.p.MIKO+ROUND MLA RGP
Handgrip band colour	Blue Moon Scav568	Groove strip finish	Matt
Kind of drawer/basket	anthracite'LEGRABOX' Metal	Washbasin type selection	Surface-mounted
Washbasin series selection	Dear -Round- D52/53/60	Top material	Lacquered
Colour of worktop	Moon Blue Scav568_LAC	Worktop profile	B13 -Th.1,3 - Lacq.
Finish of worktop	Matt_LAC		

LIST OF ARTICLES

Line n.	Fam	Cons	Article Code	U.M.	Q.ty	Description of goods	Volume	Sc	IVA	Unit price	Amount
						Variants	(M3)				
1	015	B021	71511912	PCE	1.00	W-M SINK BASE 70 H40 D52 W/BSKT	0.1630			475.00 <small>Z013 39.00</small>	514.00
						Colour of carcass Dec.Grey					
2	045		32007313	PCE	1.00	D. Ø37 S-ON B.WHI.MLSLD-M08328+P+W+U/W				295.00	295.00
						Plug finishing choice Chromed					
3	045		41021587	PCE	1.00	GUGLI.SPRINT CHR.BSN.MIXER SP01710 05	0.0090			456.00	456.00
4	045	BNOR	32007183	PCE	1.00	METAL CYLIND.SIPHON CO10502 GUGLIELMI	0.0030			<small>ZR00 56.00</small>	56.00
5	045	B021	75087171	PCE	1.00	B.U.SIDE FACING PANEL H.40 D52	0.0030			60.00	60.00
						Side Facing Panel Aesthetic B_Matt Lacquered Th.12 mm Colour Blue Moon Scav568					
6	015	B021	71534191	PCE	1.00	OPEN-FRONTED WALL U.45 H40 D36 W/SHELF	0.0750			323.00	323.00
						Version on sale Matt Lacq.open-fronted el_B Actual height 400 Actual width 450 Actual depth 360					

NOTE: the **Bold Underline** elements displayed in the quotation have been modified compared to the standard; carefully check price and feasibility.

LIST OF ARTICLES											
Line n.	Fam	Cons	Article Code	U.M.	Q.ty	Description of goods	Volume	Sc	IVA	Unit price	Amount
						Variants	(M3)				
7	015	B021	71511112	PCE	1.00	W-M BASE 35 H40 D52 W/BASKET Colour of carcass Dec.Grey	0.0840			336.00 Z013 39.00	375.00
8	045	B021	75087171	PCE	1.00	B.U.SIDE FACING PANEL H.40 D52 Side Facing Panel Aesthetic B_Matt Lacquered Th.12 mm Colour Blue Moon Scav568	0.0030			60.00	60.00
9	075	B010	77083015	CMT	153.00	LINEAR WORKTOP DEPTH 52 CM Worktop actual depth 52.3 Sur.for sit-on basin cut-out 1 Tap set hole surcharge 1 Worktop front edge Not defined	0.0669			2.00 Z014 41.00	342.00
10	045		32006035	PCE	1.00	LIZ 70X115 MIRROR	0.0530			ZR00 342.00	342.00
11	045		32005890	PCE	1.00	FANCY LED LAMP FOR MIRROR - CHROME 3W	0.0050			ZR00 151.00	151.00
12	045		32006042	PCE	1.00	"HANG" WHITE TOWEL RAIL/BOWL 90	0.0010			ZR00 71.00	71.00
13	045		32000115	PCE	1.00	SKYLINE TRAY W/3 25 MATT WHITE FLAPS	0.0100			ZR00 47.00	47.00
14	999		32007181	PCE	1.00	SUPPORT PK FOR OPEN-F.W.U.45 ASS.AS B.U.				ZR00 29.00	29.00
15	045	B021	75067106	CMT	104.00	STRIP LINEAR Recessed grip profile styling Undr-mount.RGP SC04 M.Lac.				1.00	122.00
16	999		75067402	PCE	1.00	HANDLES					
17	999		75067402	PCE	1.00	HANDLES					
18	999		75067260	PCE	1.00	ACCESSORIES F/FIXING TOPS					
19	999		75067270	PCE	2.00	ACCESSORIES FOR GROOVE STRIP SBR					
20	999		75067270	PCE	2.00	ACCESSORIES FOR GROOVE STRIP SBR					
21	045		75067906	PCE	4.00	PACK HANGING BRACKET ACCESS.					
Amount by product family											
015 Finished Elements bathrooms						1,212.00 €					
045 Complements and accessories						1,660.00 €					
075 Bathroom tops						342.00 €					
999 Other products						29.00 €					
Total Volume				0.476 M3		Total Gross Amount			3243.00 €		
IVA						3243.00	22.0 %	713.00 €			
Amount including IVA								3957.00 €			

NOTE: the **Bold Underline** elements displayed in the quotation have been modified compared to the standard; carefully check price and feasibility.

Cliente: - Customer:
ARTSKILL OU
Punto Vendita: - Point of sale:
SCAVOLINI STORE TALLINN

Riferimento:
Reference:
MIKO_01

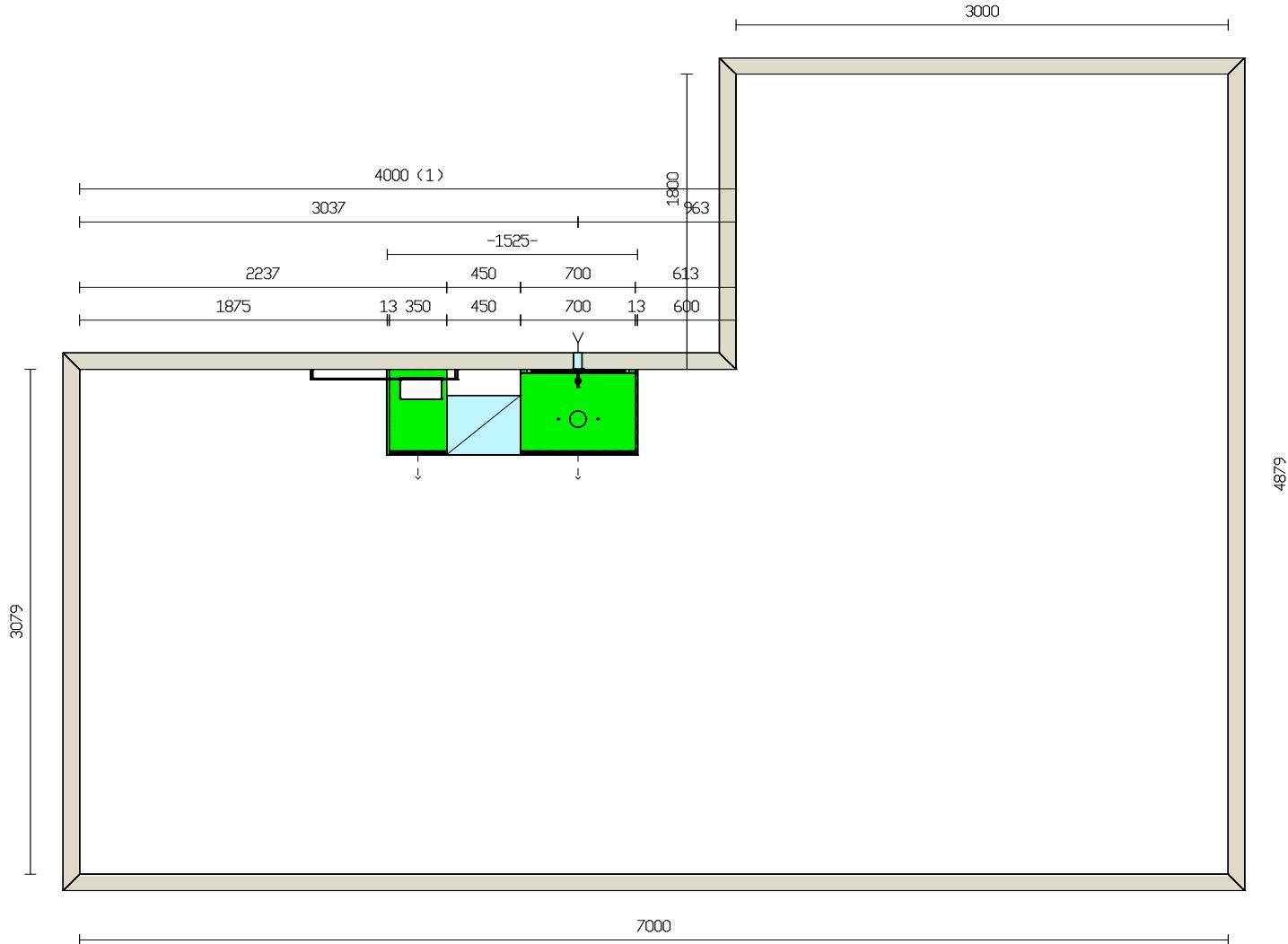
Prov.:
Prov.:
TALLINN

Modello e Versione commerciale:
Model/Version:
Miko Laccato Opaco

Allestimento Maniglia:
Handle Version:
Pr.Man.Miko f.go+golaLOP ROUND

Zoccolo:
Plinth:

Piano:
Worktop:
Laccato colore Blu Moon Scav568_LAC



Cliente: - Customer:
ARTSKILL OU
 Punto Vendita: - Point of sale:
SCAVOLINI STORE TALLINN

Riferimento:
 Reference:
MIKO_01

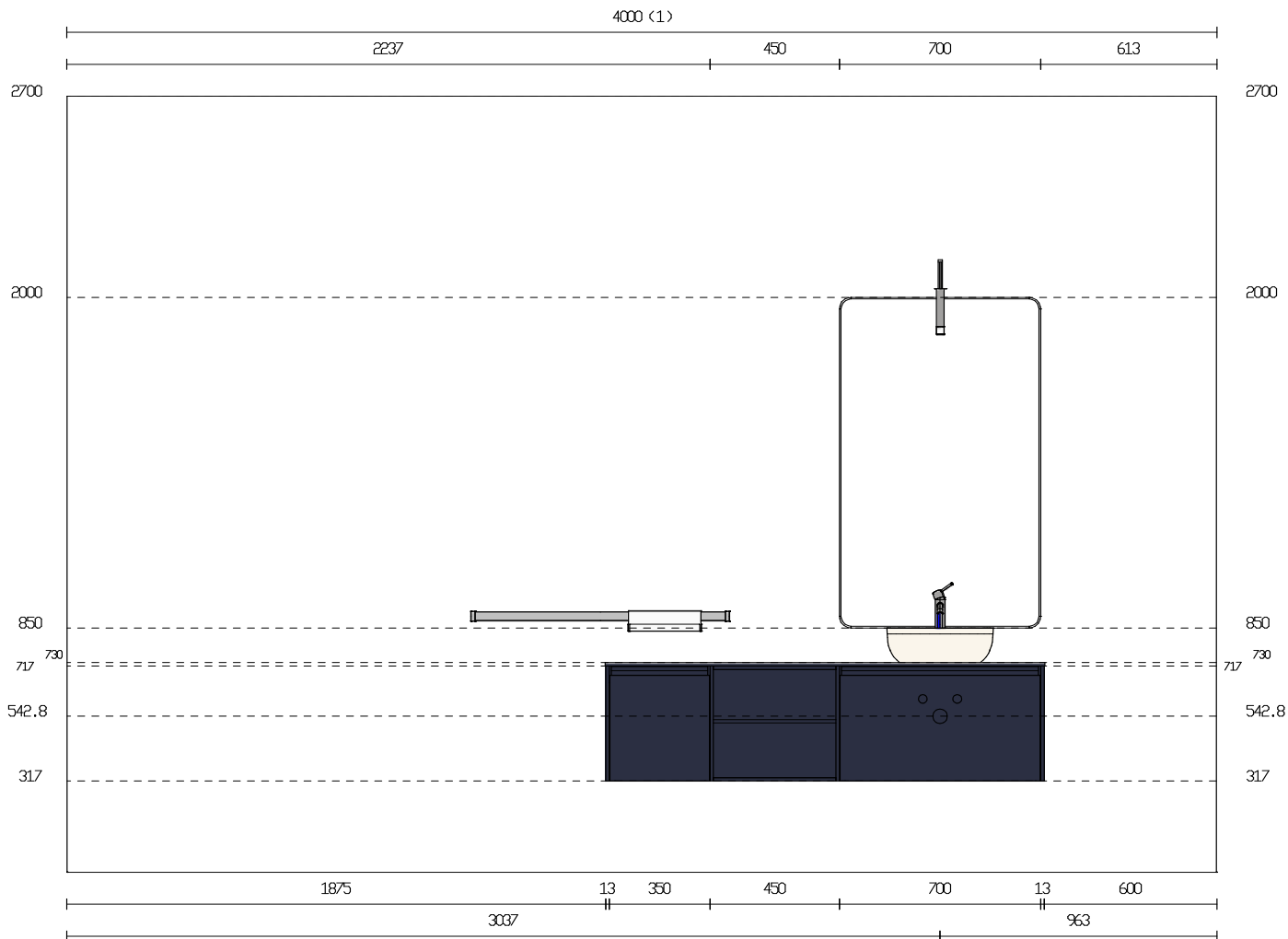
Prov.:
 Località:
 Place:
TALLINN

Modello e Versione commerciale:
 Model/Version:
Miko Laccato Opaco

Allestimento Maniglia:
 Handle Version:
Pr.Man.Miko f.go+golaLOP ROUND

Zoccolo:
 Plinth:

Piano:
 Worktop:
Laccato colore Blu Moon Scav568_LAC



Cliente: - Customer:
ARTSKILL OU
Punto Vendita: - Point of sale:
SCAVOLINI STORE TALLINN

Riferimento:
Reference:
MIKO_01

Prov.:
Prov.:

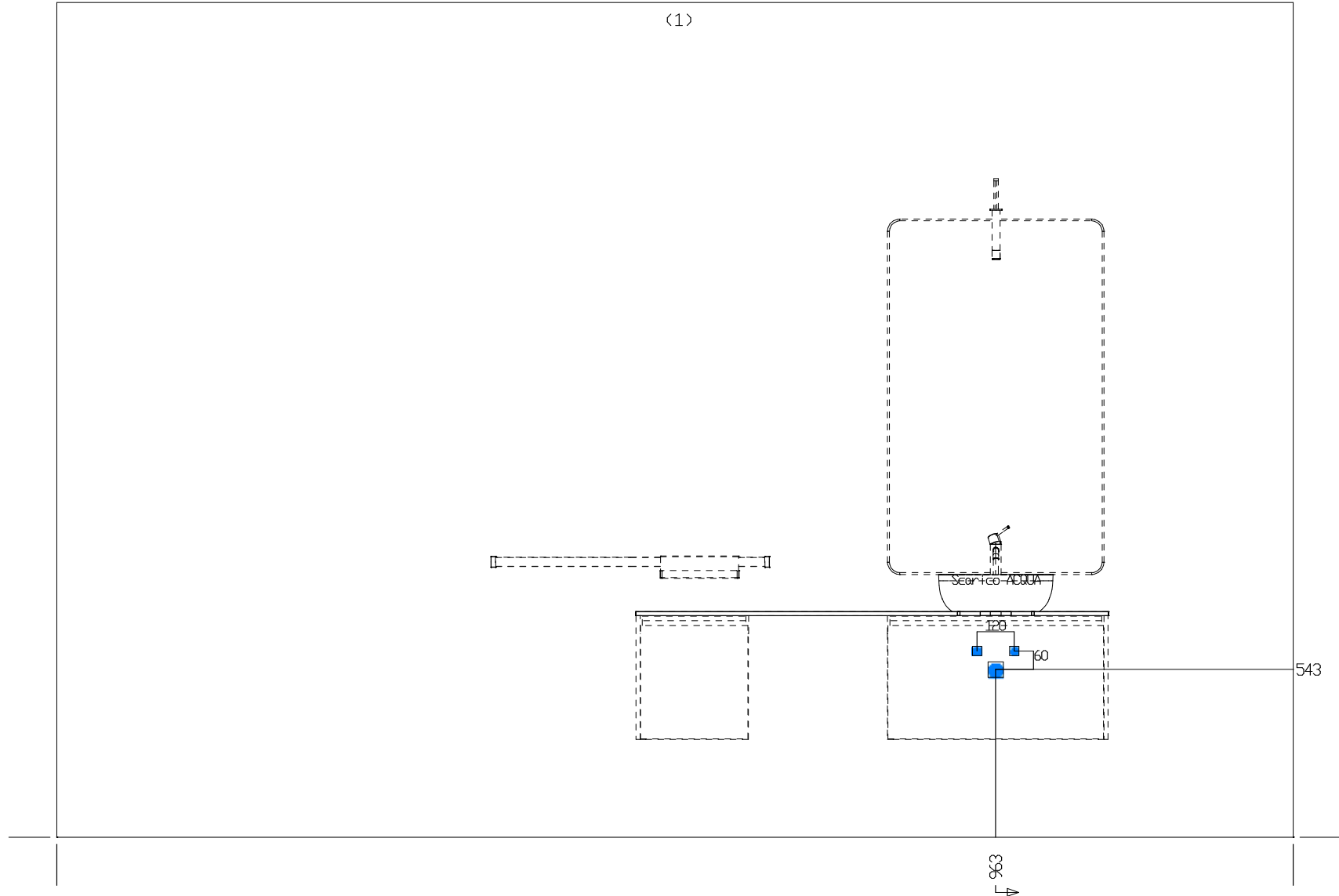
Località:
Place:
TALLINN

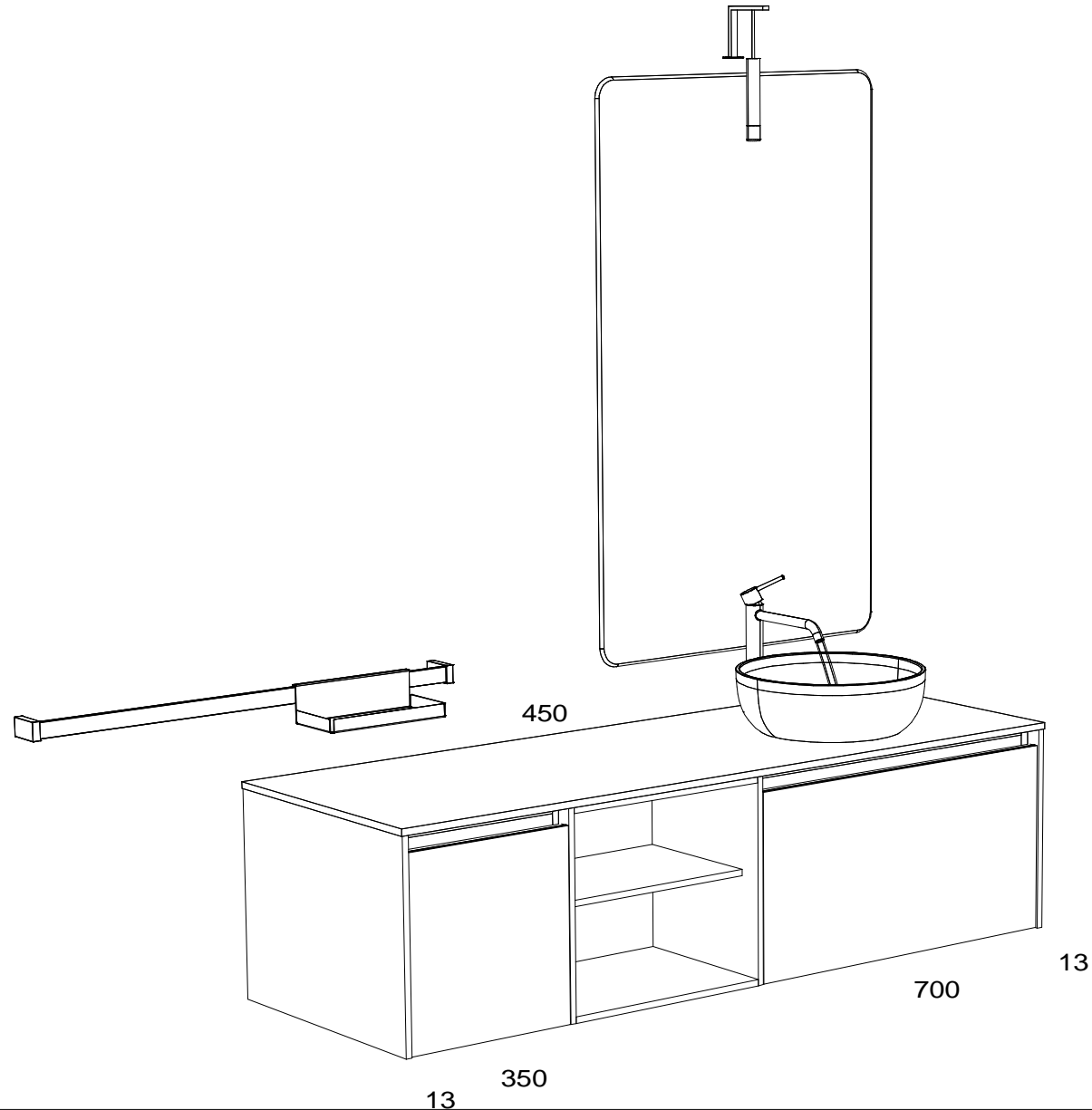
Modello e Versione commerciale:
Model/Version:
Miko Laccato Opaco

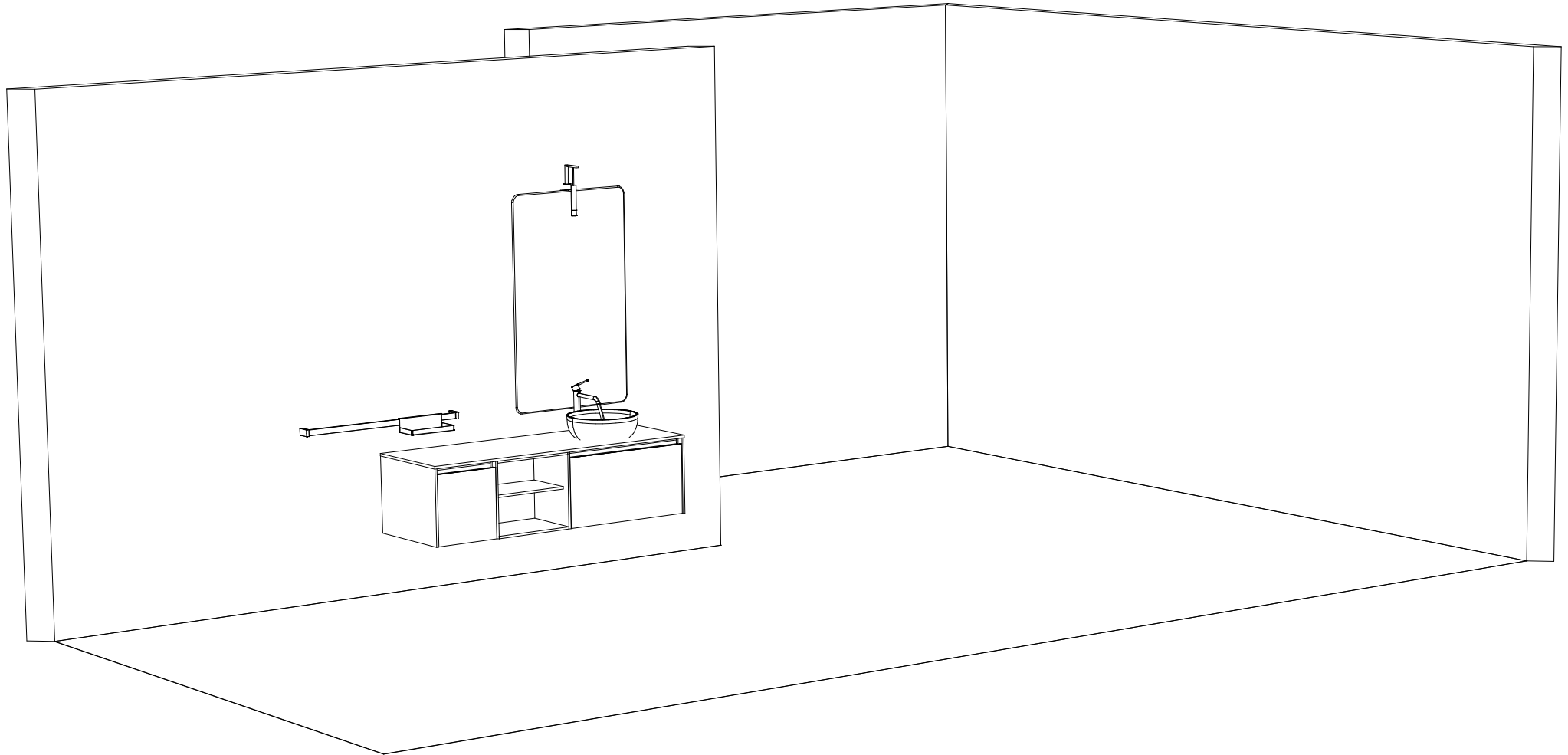
Allestimento Maniglia:
Handle Version:
Pr.Man.Miko f.go+golaLOP ROUND

Zoccolo:
Plinth:

Piano:
Worktop:
Laccato colore Blu Moon Scav568_LAC



Cliente: - Customer:
ARTSKILL OU
Punto Vendita: - Point of sale:
SCAVOLINI STORE TALLINNLocalità:
Place:
TALLINNProv.:
Prov.:
Riferimento:
Reference:
MIKO_01Modello e Versione commerciale:
Model / Version
Miko Laccato OpacoAllestimento Maniglia:
Handle Version:
Pr.Man.Miko f.go+golaLOP ROUNDZoccolo:
Plint:Piano:
Worktop:
Laccato colore Blu Moon Scav568 LAC

Cliente: - Customer:
ARTSKILL OU
Punto Vendita: - Point of sale:
SCAVOLINI STORE TALLINNLocalità:
Place:
TALLINNProv.:
Prov.:
Riferimento:
Reference:
MIKO_01Modello e Versione commerciale:
Model / Version
Miko Laccato OpacoAllestimento Maniglia:
Handle Version:
Pr.Man.Miko f.go+golaLOP ROUNDZoccolo:
Plint:Piano:
Worktop:
Laccato colore Blu Moon Scav568 LAC

Cliente: - Customer:
ARTSKILL OU
Punto Vendita: - Point of sale:
SCAVOLINI STORE TALLINNLocalità:
Place:
TALLINNProv.:
Prov.:
Riferimento:
Reference:
MIKO_01Modello e Versione commerciale:
Model / Version
Miko Laccato OpacoAllestimento Maniglia:
Handle Version:
Pr.Man.Miko f.go+golaLOP ROUNDZoccolo:
Plint:Piano:
Worktop:
Laccato colore Blu Moon Scav568 LAC