



ORDER PROPOSAL

Customer Data

Company Name ARTKILL TALLINN Address ()
Telephone 5154679 Email ARTSKILLSTUUDIO@ARTSKILL.EE Tax code / VAT reg. no.

Order Data

Date of Entry 07/06/2024 Delivery date requested 08/07/2024 Volume 0.513
Order Number 30712 Order Type ZVE1 Vendita ESPORTATORE
Order Reference ARTKILL TALLINN Tipo Consegna B990

Comments

TELLIMUSE KINNITUS DIS_2

WARNING: the price reference for any modification manually done by the user is the paper price list. We also remind you that prices and feasibility for special elements have to be requested to the relevant departments.

PRODUCT VERSION

Trademark / Product Line	SCAVOLINI / Bathrooms	Model	MISFITS BATHROOM
Version on sale	MISFITS Bath.Tit.fin.al.fra./G	Colour of front	Bronze_dow
Colour of carcass	DM Str._Key Matter Scav969	Handle version	Without handle MISFIT BATHROOM
Kind of drawer/basket	Anthracite 'LEGRABOX' Metal	Washbasin type selection	Integral
Washbasin series selection	Integ.Gres P52/53	Top material	Gres
Colour of worktop	Invisible Light_Kerlite	Worktop profile	B24 -Th.10 cm -Grs
Finish of worktop	Polished_GRS	Material of backsplash prof.	Gres H.40 th 11 rect.prof.
Colour of backsplash	Invisible Light_Kerlite		

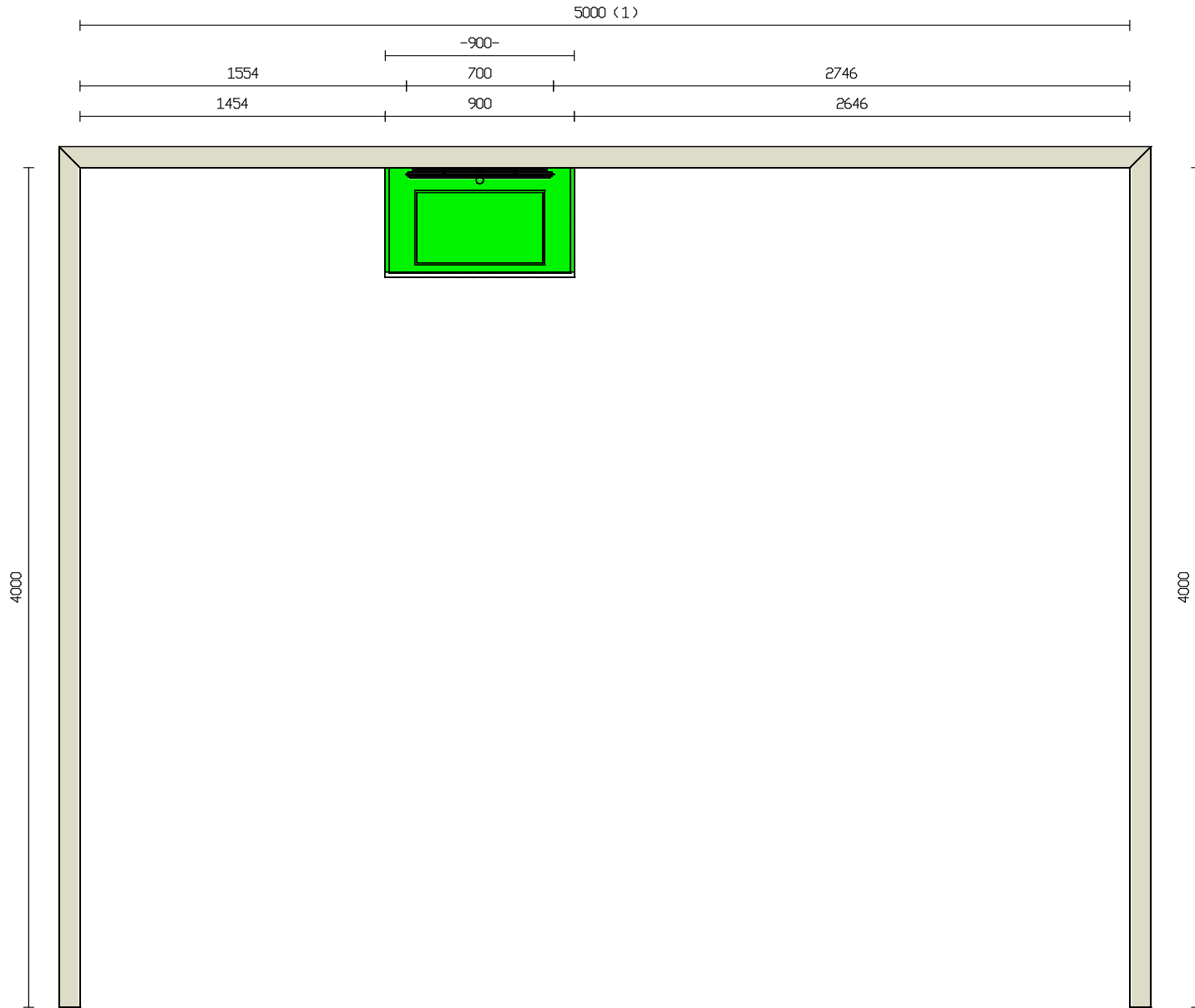
LIST OF ARTICLES

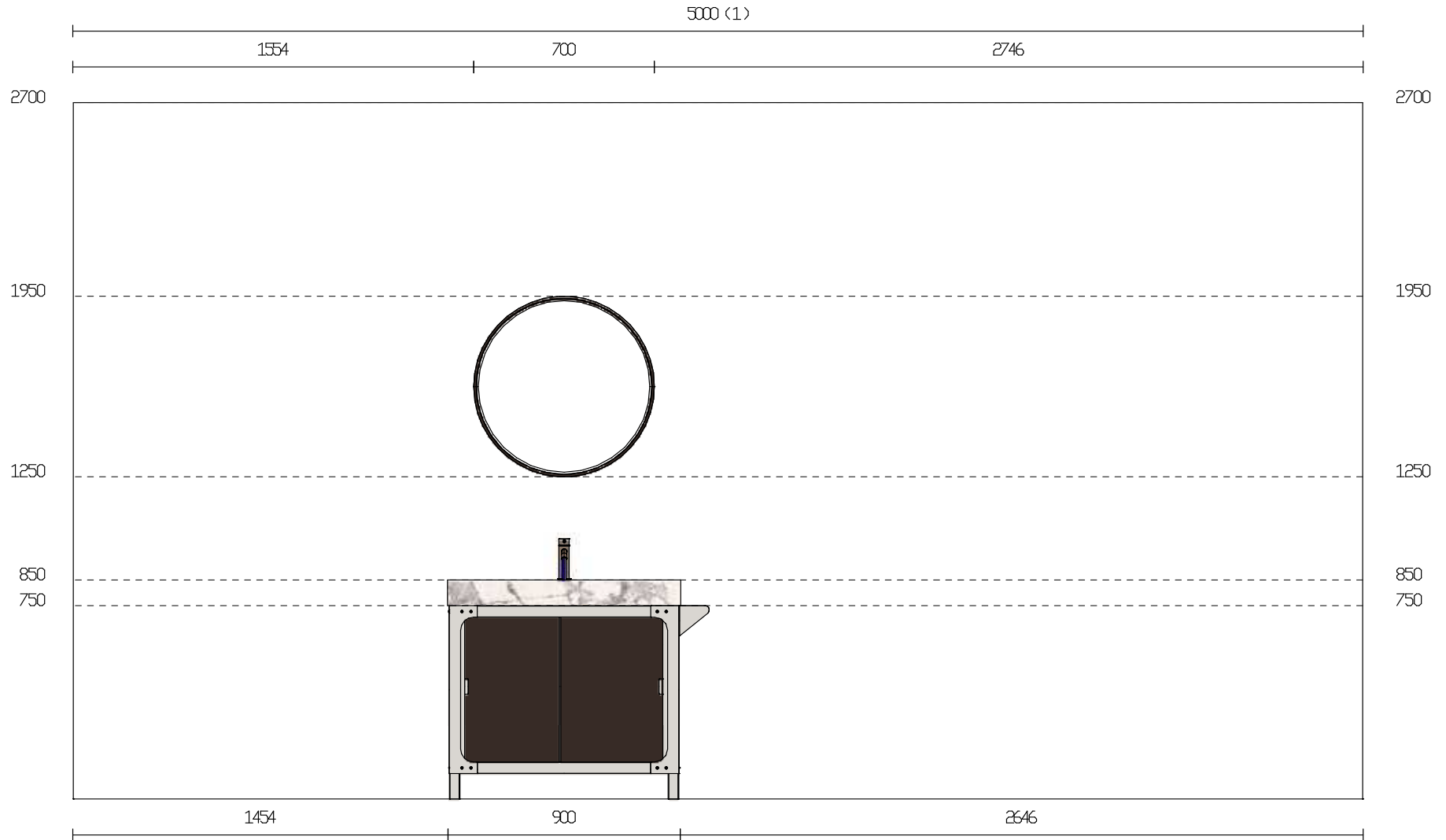
Line n.	Fam	Cons	Article Code	U.M.	Q.ty	Description of goods	Volume	Sc	IVA	Unit price	Amount
Variants							(M3)				
1	015	BNOR	71508765	PCE	1.00	CHEST MISFIT WASH.B.U.90 SLID+RH T.RAIL Colour of carcass Soft Grey	0.4400			2786.00	2786.00
2	045		41019696	PCE	1.00	GESSI316 FLESSA SGL.CTRL.BSN.MX54001-708	0.0070			731.00	731.00
3	075	B010	77083015	CMT	90.00	LINEAR WORKTOP DEPTH 52 CM Worktop actual depth 52.3 Tap set hole surcharge 1 Built-in washbasin surcharge BS.AR.INT MONOLITH L60 Worktop front edge Not defined	0.0393			9.00 Z014 967.00	1821.00
4	045	BNOR	32005043	PCE	1.00	ROUND LUNAR MIRROR Ø70 Mirror styling MATT LACQUERED ROUND LUN Mirror type selection Without Light Mirror Unit Color Bronze_dow	0.0270			904.00	904.00
5	999		75067260	PCE	1.00	ACCESSORIES F/FIXING TOPS					
6	999		75069991	PCE	1.00	HANDBOOK/CARD F.CONSUMER					
7	999		75069003	PCE	1.00	PLATE SBR					

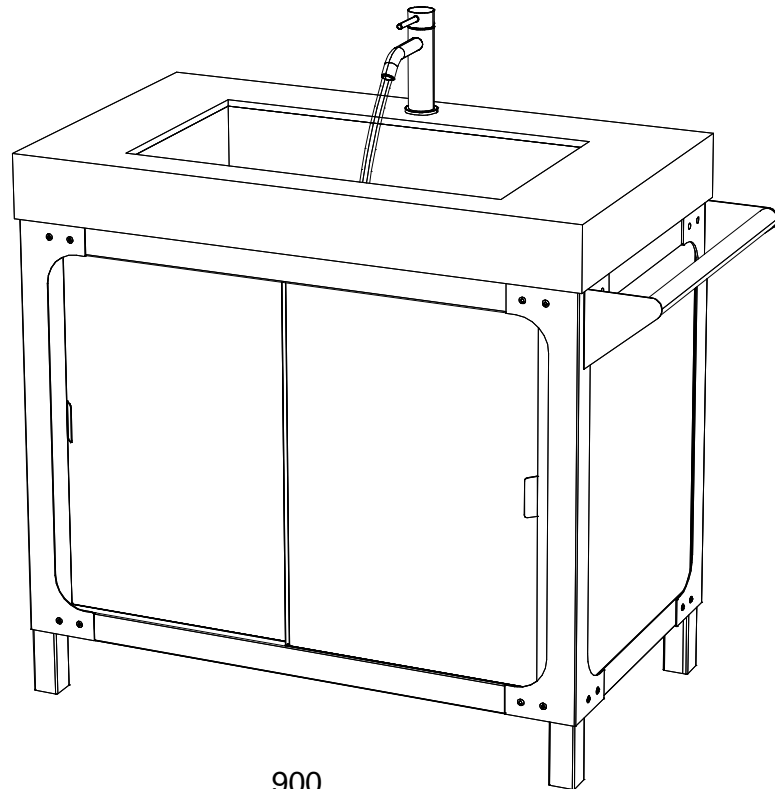
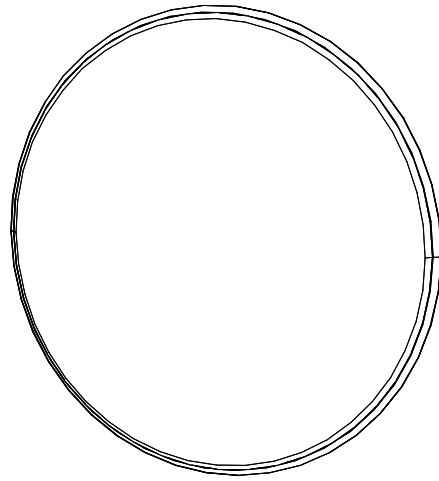
NOTE: the **Bold Underline** elements displayed in the quotation have been modified compared to the standard; carefully check price and feasibility.

Amount by product family			
015	Finished Elements bathrooms	2,786.00	€
045	Complements and accessories	1,635.00	€
075	Bathroom tops	1,821.00	€
Total Volume		0.513 M3	
		Total Gross Amount	6242.00 €
IVA		6242.00	22.0 %
			1373.00 €
Amount including IVA			7615.00 €

NOTE: the **Bold Underline** elements displayed in the quotation have been modified compared to the standard; carefully check price and feasibility.







900

